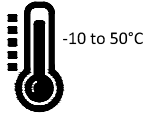


Product Installation guide

IP65



-10 to 50°C

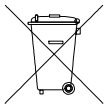
OPERATION TEMPERATURE



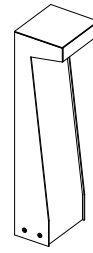
MAKE SURE THE Power IS OFF DURING INSTALLATION



120-277V~
50/60 Hz



RISK OF FIRE AND ELECTRICAL SHOCK

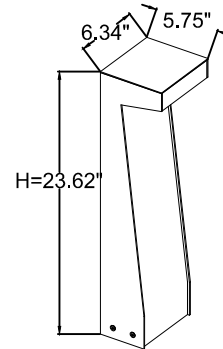
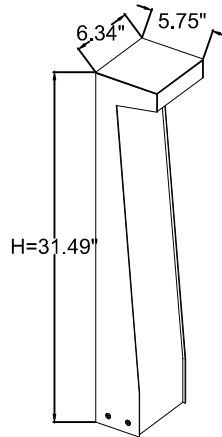
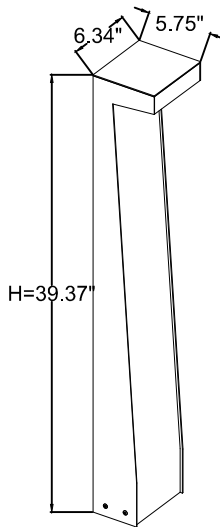


INSTALLATION INSTRUCTIONS

DISCLAIMER

Please read all instructions before beginning installation:

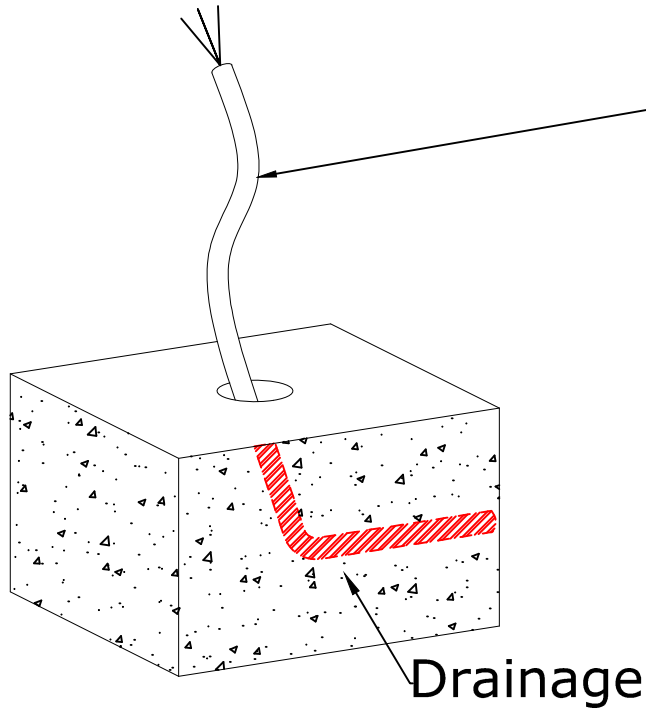
1. Turn off electrical Power before starting the installation of the light fixture.
2. The feeding voltage must not exceed the specified fixture voltage.
3. This product must be installed by an eligible electrician.
4. Make sure the luminaire is mounted to a secure structure. Mounting the fixture in inappropriate way could lead to serious injury.
5. This luminaire is class 1, it must be earthed in a reliable way.
6. Wear gloves and safety glasses at all times when removing the luminaire from carton, installing, servicing or performing maintenance
7. Do not install damaged product! This luminaire is properly packed to avoid being damaged during transit. Inspect to confirm before installation. Any damaged or broken part during or after assembly should be replaced.
8. Unauthorized repairs or modifications will void warranty.



Dimensions in Inch

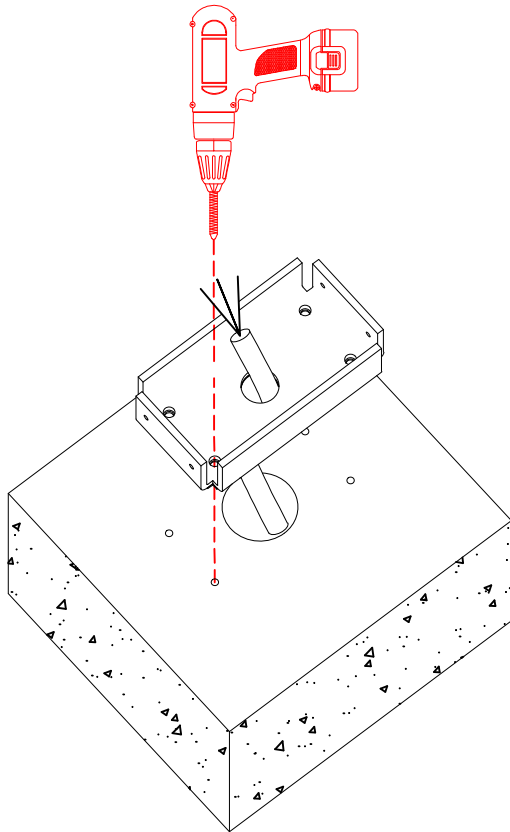
Product Installation guide

1. Prepare the ground and the cable with a proper drainage system



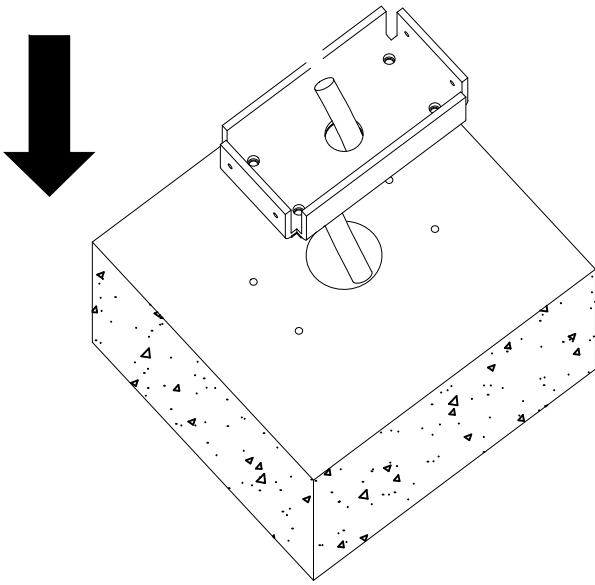
Type	Application	Cable	Note
Non Dimmable	Power	SJOW 3x18 AWG	L/N/PE
DALI	Power	SJOW 3x18 AWG	L/N/PE
	Control	SJOW 2x18 AWG	DA/DA
1-10V	Power	SJOW 3x18 AWG	L/N/PE
	Control	SJOW 2x18 AWG	DIM+ / DIM-

2. Make 4 holes in the surface for M6X50

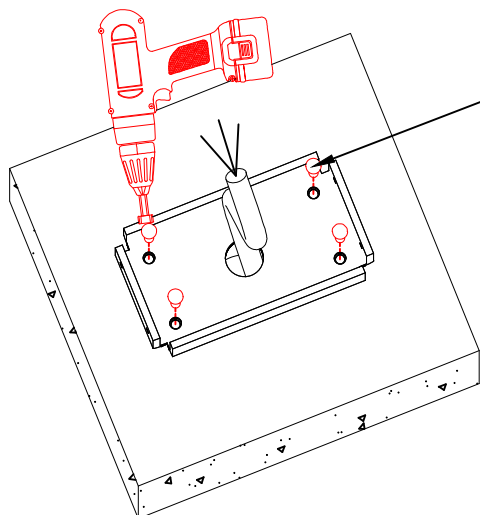


Product Installation guide

3.insert Power feeding and control canle in the base



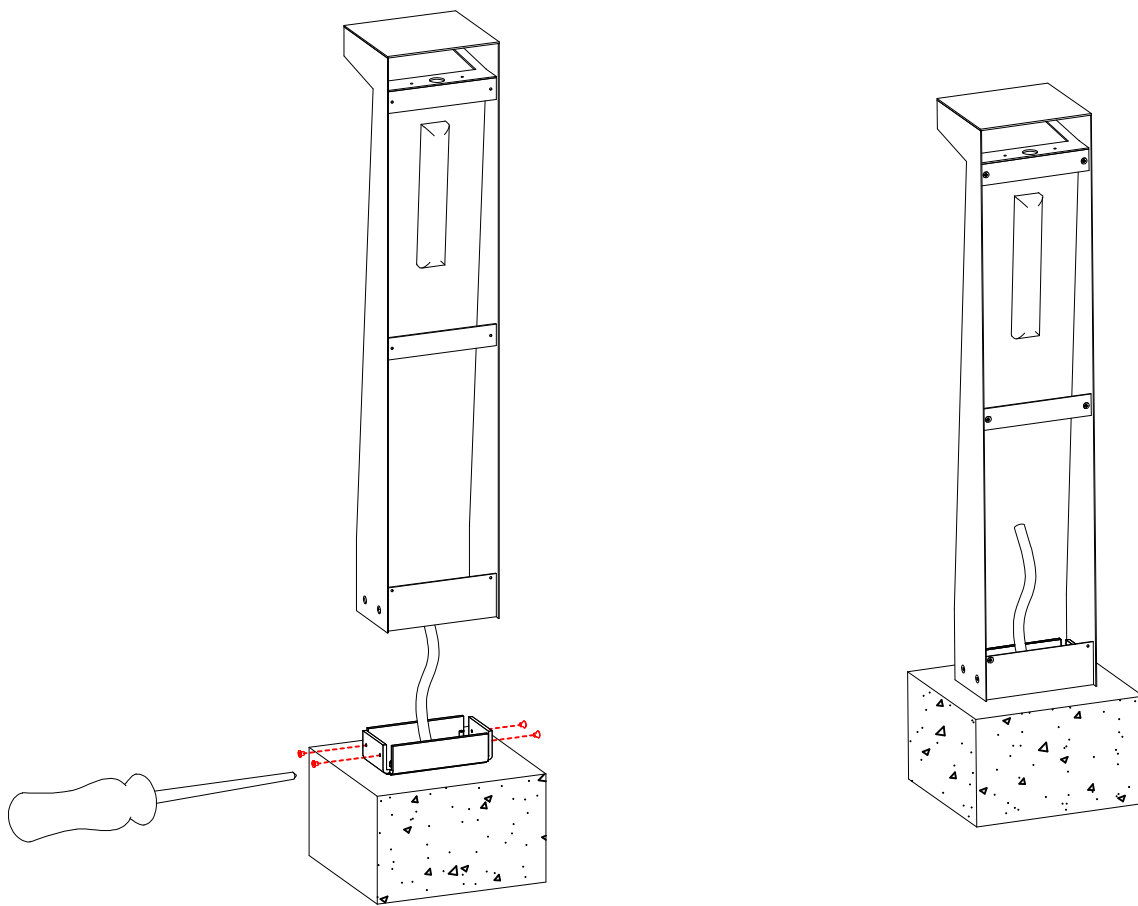
4.Screw in M6x50 screws Qty 4 (provided by installer)



M6x50 provided by installer

Product Installation guide

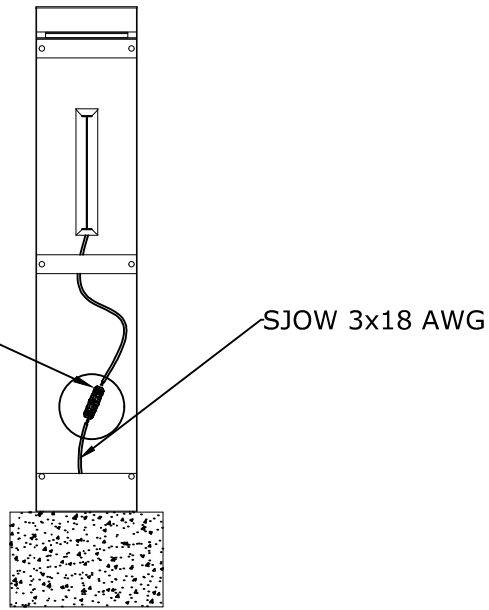
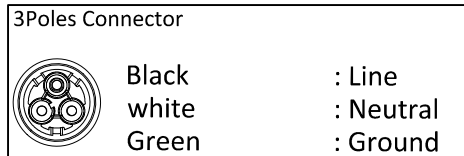
5. Fix and screw in E-Walk fixture using M4 countersunk screw with the base bracket



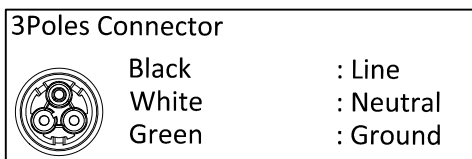
Product Installation guide

6. Connect Power line using waterproof connector

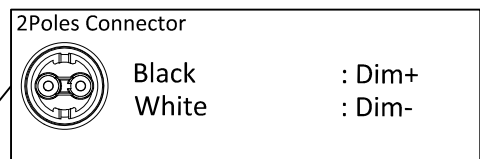
Non Dimmable



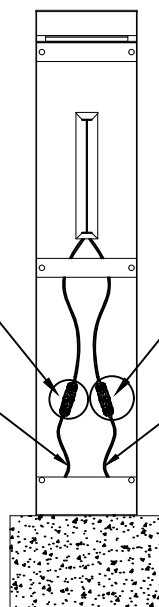
1-10V Dimmable



SJOW 3x18 AWG



SJOW 2x18 AWG



Product Installation guide

7. Fix back cover using M4 countersunk screw

